

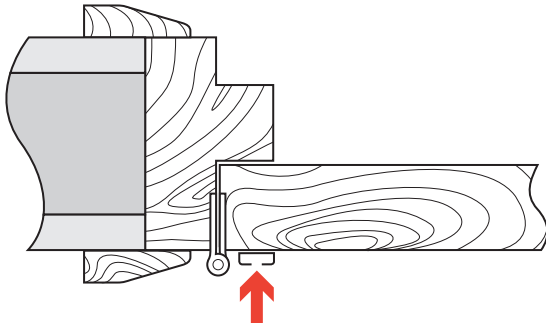
Instructions Finger Protector® Hinge Pin Side

Supplement to standard fitting instructions for Finger Protector® Hinge Cavity (HC)

If you require any assistance with your installation call the **Safety Assured Advice Line on 0870 060 1715**

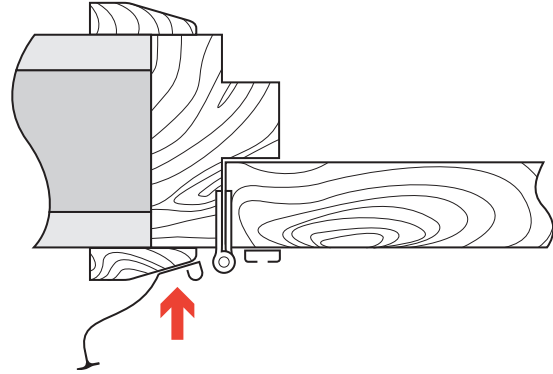
1

Clean and dry door edge closest to hinge pin edge before attaching retaining channel in the position shown.



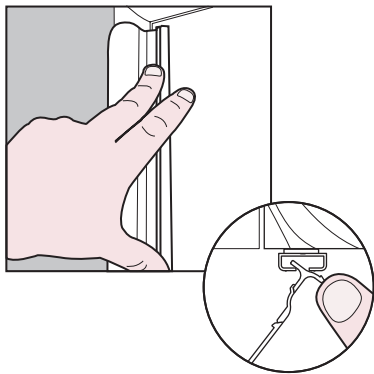
2

Clean and dry door frame closest to hinge pin edge before attaching retaining shield in the position shown.



3

Push shield clip into retaining channel with finger.



4

Insert a blunt knife into retaining channel at the top as shown. Swing the knife to engage clip at the top and slide the knife down to the bottom of the channel to engage clip fully.

